

FANUC

The world's strongest robot comes to Europe



NEW FANUC M-2000iA/2300

Flexible reach and a huge 2.3-ton payload.
Get inspired by the world's strongest robot.



WWW.FANUC.EU



Unchain your lifting capacity

Our strongest robot just got a whole lot stronger – making it the world's first industrial robot to lift and orientate objects weighing up to 2.3 tons as if they were toys. Faster, more precise and flexible than a crane or hoist, the M-2000iA/2300 opens up a whole new world of possibilities for your production process.

Get inspired by the world's strongest robot.



Find out more about the
M-2000iA range at www.fanuc.eu/M-2000iA

M-2000iA/2300



Max. load capacity
at wrist: **2300 kg**

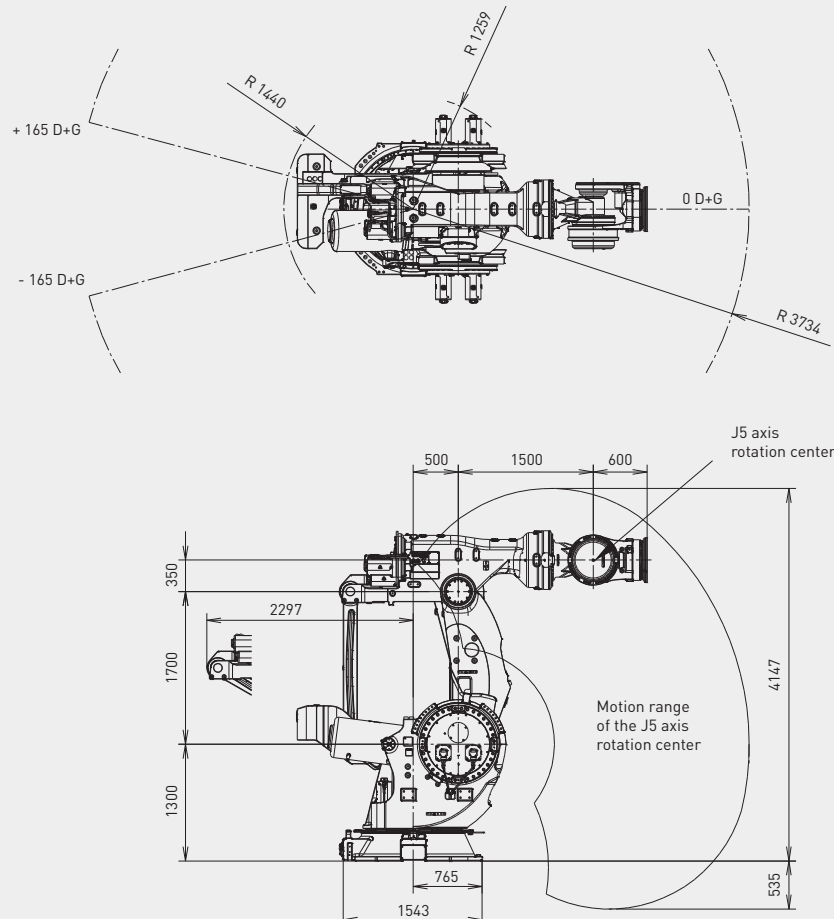


Max. reach:
3734 mm

Robot	M-2000iA/2300	Controller	30iB
Robot footprint [mm]	1540 x 1480	Open air cabinet	-
Mounting position Floor	●	Mate cabinet	-
Mounting position Upside down	-	A-cabinet	●
Mounting position Angle	-	B-cabinet	○
Controlled axes	6	iPendant Touch	●
Repeatability [mm]	± 0.3	Electrical connections	
Mechanical weight [kg]	11000	Voltage 50/60Hz 3phase [V]	380-575
Motion range		Voltage 50/60Hz 1phase [V]	-
J1 [°]	330	Average power consumption [kW]	8
J2 [°]	160	Integrated services	
J3 [°]	165	Integrated signals on upper arm In/Out	8/8
J4 [°]	720	Integrated air supply	2
J5 [°]	240	Environment	
J6 [°]	720	Acoustic noise level [dB]	72.8
Maximum speed		Ambient temperature [°C]	0-45
J1 [°/s]	20	Protection	
J2 [°/s]	14	Body standard/optional	IP54/IP56
J3 [°/s]	14	Wrist & J3 arm standard/optional	IP67
J4 [°/s]	18		
J5 [°/s]	18		
J6 [°/s]	40		
Moment/Inertia			
J4 [Nm/kgm ²]	29400/7500		
J5 [Nm/kgm ²]	29400/7500		
J6 [Nm/kgm ²]	8820/5500		

● standard ○ on request - not available () with hardware and/or software option

Working Range



The power to defy gravity

NEW M-2000iA/2300

- world record-breaking 2300 kg payload
- precise handling capabilities
- 3734 mm working envelope
- the strongest wrist on the market
- high wrist moments and inertia
- vision-ready functionality



No matter what you need to lift, the new 2.3-ton payload FANUC M-2000iA/2300 gives you the strength and flexibility to redefine the laws of heavy material handling.



WWW.FANUC.EU

**Push
the
button**



We reserve the right to make technical changes without prior announcement.
All rights reserved.

©2016 FANUC Europe Corporation

www.fanuc.eu